



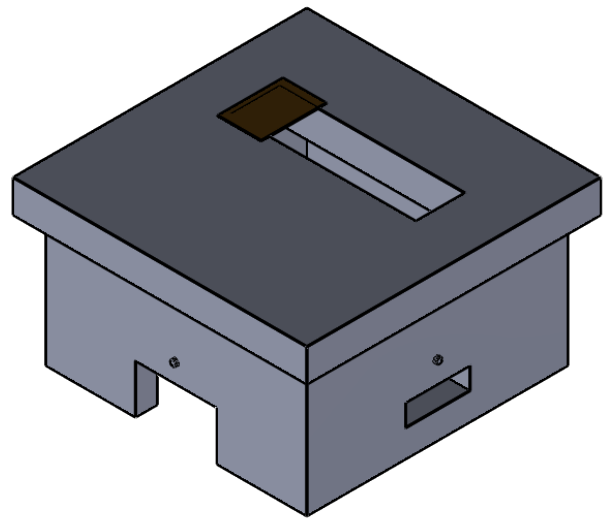
PEPIN
PRECAST

59 Shaw Road, Sanford ME 04073

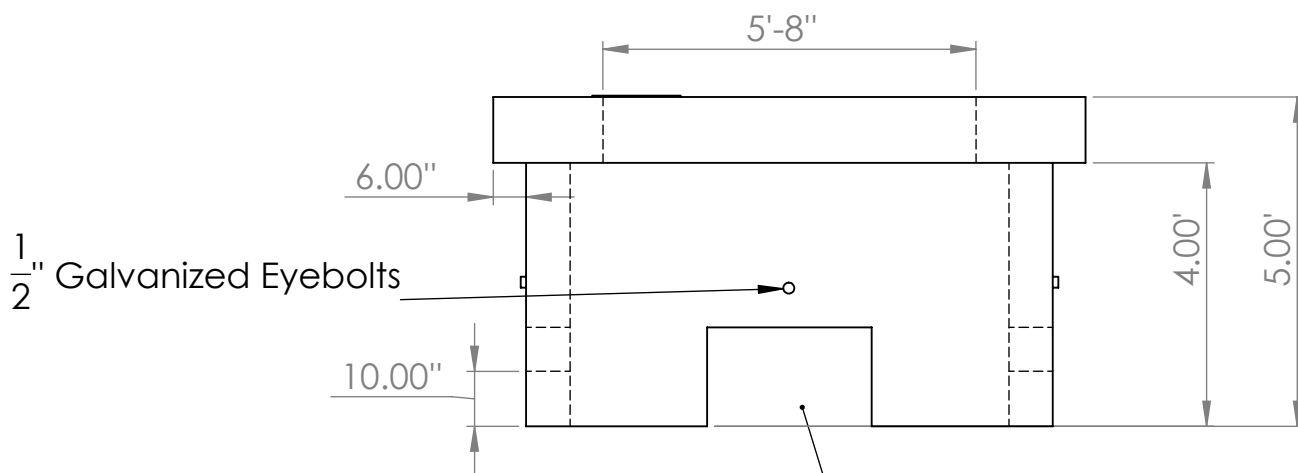
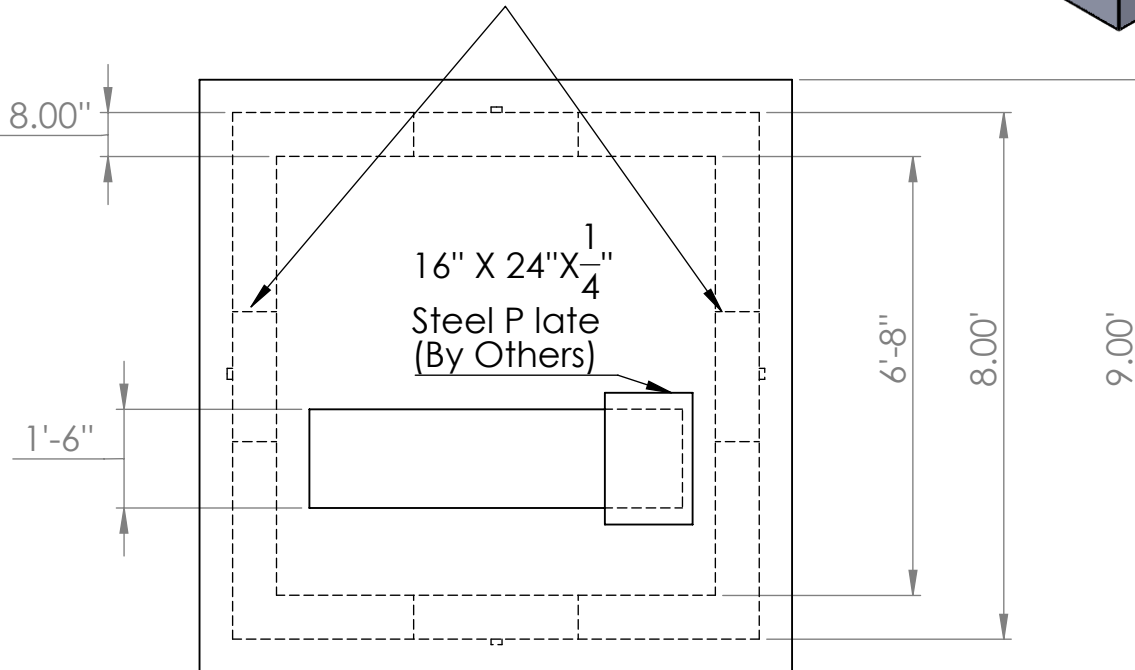
Tel:(207)-324-625

WWW.RPEPIN.COM

A Division Of R. Pepin & Sons Inc.
Transformer Pad



24" Wide X 8" High Knock outs



Specification

2'-6" Wide X 18" Tall
Knock Out

1. CONCRETE 5,000 PSI AFTER 28 DAYS
2. CEMENT PORTLAND TYPE II PER ASTM C150-81
3. STEEL REINFORCEMENT PER ASTM A-615. GRADE 60
4. DESIGN LOADING PER AASHTO HS-20
5. JOINTS SEALED WITH CONSEAL CS-102 BUTYL SEALAN