



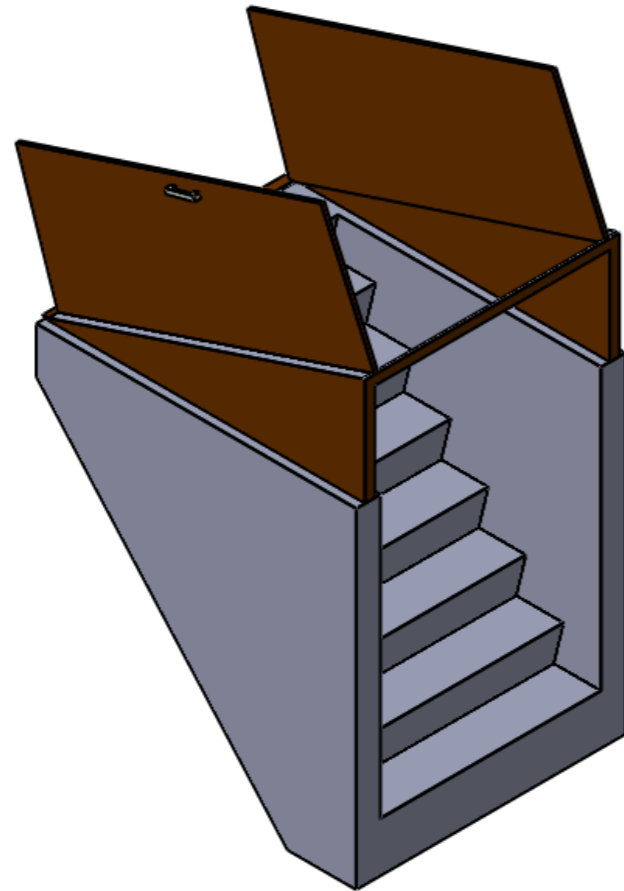
59 Shaw Road, Sanford ME 04073

Tel: (207)-324-6125

WWW.RPEPIN.COM

A Division Of R. Pepin & Sons Inc.

Bulkhead Type B- 4800 Lbs



SPECIFICATION

- 1.) CONCRETE 5,000 PSI AFTER 28 DAYS
- 2.) CONSTRUCTION CONFORMS TO DEP TITLE V REGS.
- 3.) METAL DOORS DONE BY OTHERS
- 4.) MAXIMUM WIDTH OF FOUNDATION OPENING IS 40"

